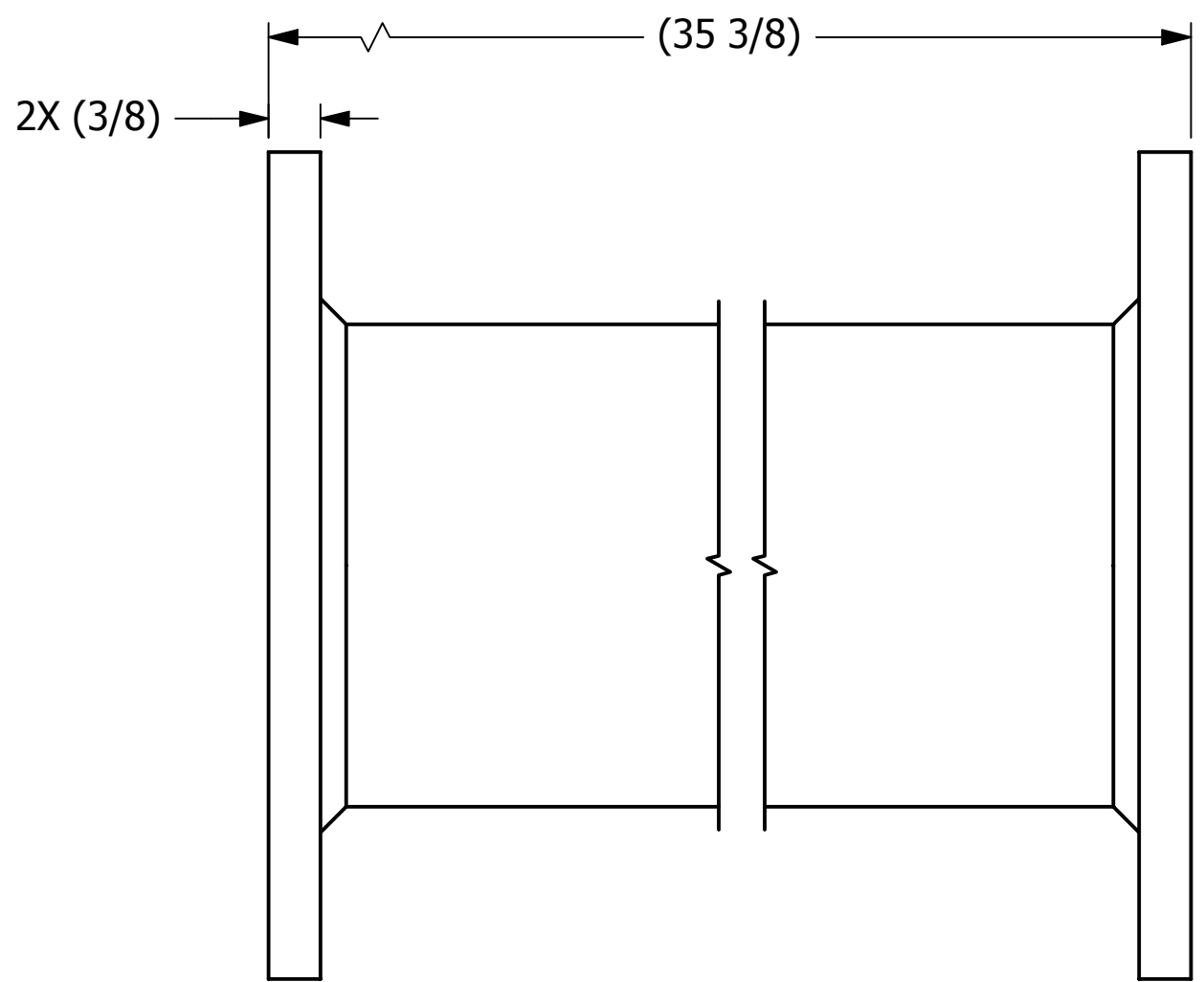
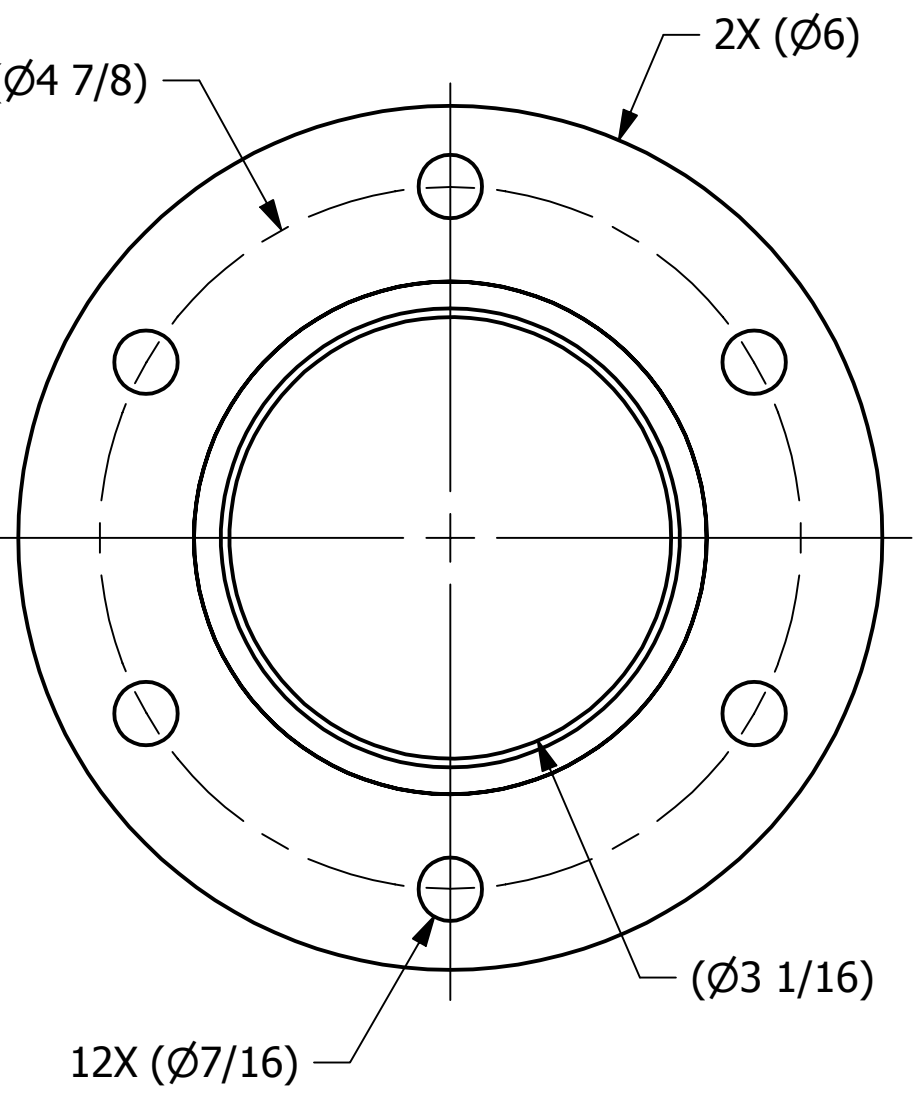


SALES DRAWING

SALES DRAWING



REV	BY	DATE	DESCRIPTION
C	TAJ	4/27/11	UPDATED NOTE
B	BRG	3-6-09	ADDED SURFACE FINISH SYMBOLS
A	PJG	6-18-07	ADDED NOTE

UNLESS OTHERWISE SPECIFIED DIMENSIONAL TOLERANCES		DRAWN BY: ACC		SALCO PRODUCTS, INC.	
FRACTIONAL:	±1/16	CHECKED BY:	KRSJ		
X.XX:	±.03	PROTOTYPE BY:	ACC	PART NAME: <b>AIR MANIFOLD EXTENSION 3"</b>	
X.XXX:	±.015	PROTOTYPE DATE:	4/28/2016	MATERIAL: ALUMINUM	
ANGULAR:	±1°	APPROVED FOR PRODUCTION BY:	ACC	PROJECT #: 040617	SHEET #: 1 OF 1
DEBURR ALL SHARP EDGES. ALL MACHINED SURFACES TO HAVE A 125 RMS FINISH UNLESS NOTED OTHERWISE.		PRODUCTION DATE:	8/26/2004	DRAWING #: <b>B19424</b>	PART #: <b>PD3AME1</b>
THIRD ANGLE PROJECTION		SCALE: 3:4			

THIS PRINT, PROPERTY OF SALCO PRODUCTS INC., CONTAINS PROPRIETARY INFORMATION AND MUST NOT BE COPIED, REPRODUCED, OR USED DETRIMENTALLY TO OUR INTEREST.